

ITEM 37 HOT WATER CLEANING SYSTEM

- FOOD SERVICE EQUIPMENT CONTRACTOR TO FURNISH JUNCTION BOXES FOR HOT WATER CLEANING SYSTEM REMOTE STATIONS TO GENERAL CONTRACTOR FOR INSTALLATION IN MASONRY WALLS AS THEY ARE BEING BUILT. BOXES ARE TO BE INSTALLED AT 48" AFF. SEE DETAIL SHIT. K-5.
- GENERAL CONTRACTOR TO PROVIDE 2" DIA. CONDUIT CHASE INSIDE WALL FROM REMOTE STATIONS TO ABOVE CEILING GRID FOR TUBING AND CONTROL WIRING (FURN. BY INSTALLER). PROVIDE LONG SWEEP 2" ELECTRICAL CONDUIT ELBOW ABOVE CEILING AT EACH STATION. NOTE: VERIFY IF LOCAL CODES REQUIRE CONDUIT FOR 24 VOLT CONTROL WIRING RUNNING OVERHEAD.
- HOT WATER CLEANING SYSTEM TO BE FACTORY INSTALLED. F.S.E.C. TO COORDINATE WITH GENERAL CONTRACTOR AND OTHER TRADES.

WASTE AND SPECIAL CONDITIONS NOTES:

- DO NOT PITCH FLOOR TO DRAINS IN KITCHEN AREA. ALL DRAINS, DRAIN COVERS, FLOOR TROUGHS, FLOOR SINKS, ETC. MUST BE FLUSH WITH PLANE OF SURROUNDING FLOOR.
- PROVIDE THRESHOLDS AT DOORS AND OPENINGS WHERE QUARRY TILE TRANSITIONS TO FLOORING MATERIAL NOT SUITABLE FOR SPRAY WASHING. APPLY MASTIC AND/OR CAULK TO PREVENT WATER FROM SEEPING THROUGH.
- PROVIDE LOCKER BASE WITH BENCH FOR LOCKERS. SEE DETAIL ON SHIT. A-18.

WASTE SYMBOLS

	FS-3 = FLOOR SINK LESS GRATE 10" DEEP
	FS-2 = FLOOR SINK, W/HALF GRATE
	FS-1 = FLOOR SINK, WITH 8" X 8" TOP GRATE
	FD-1 = FLOOR DRAIN, WITH TYPE "A" STRAINER 5" TOP
	DW-1 = 1-1/2" DIRECT WASTE LINE- ROUGHED IN WALL AT 24" AFF, FOR HANDWASH SINK
	DW-2 = 2" DIRECT WASTE LINE- ROUGHED IN WALL AT 12" AFF, FOR DISPOSER
	DW-3 = 3" DIRECT WASTE LINE- ROUGHED IN WALL AT 12" AFF, FOR DISPOSER
	HD-1 = 1-1/2" INDIRECT WASTE LINE- ROUGHED IN WALL AT 48" AFF, FOR WASH BOX
	HD-2 = 2" INDIRECT WASTE LINE- ROUGHED IN FINISHED FLOOR AT 3" AFF, FOR MOP SINK - (VERIFY REQUIREMENTS)
	TD-1 = TRENCH DRAIN W/4" TRAPPED CONNECTION INTO BOTTOM GUTLET. PROVIDE FLOOR RECESS TO ACCOMMODATE FLOOR TROUGH, SIZE AS SPECIFIED (SEE DETAIL THIS SHIT.)
	FIELD CONNECTIONS
	ROUGH-IN FROM WALL

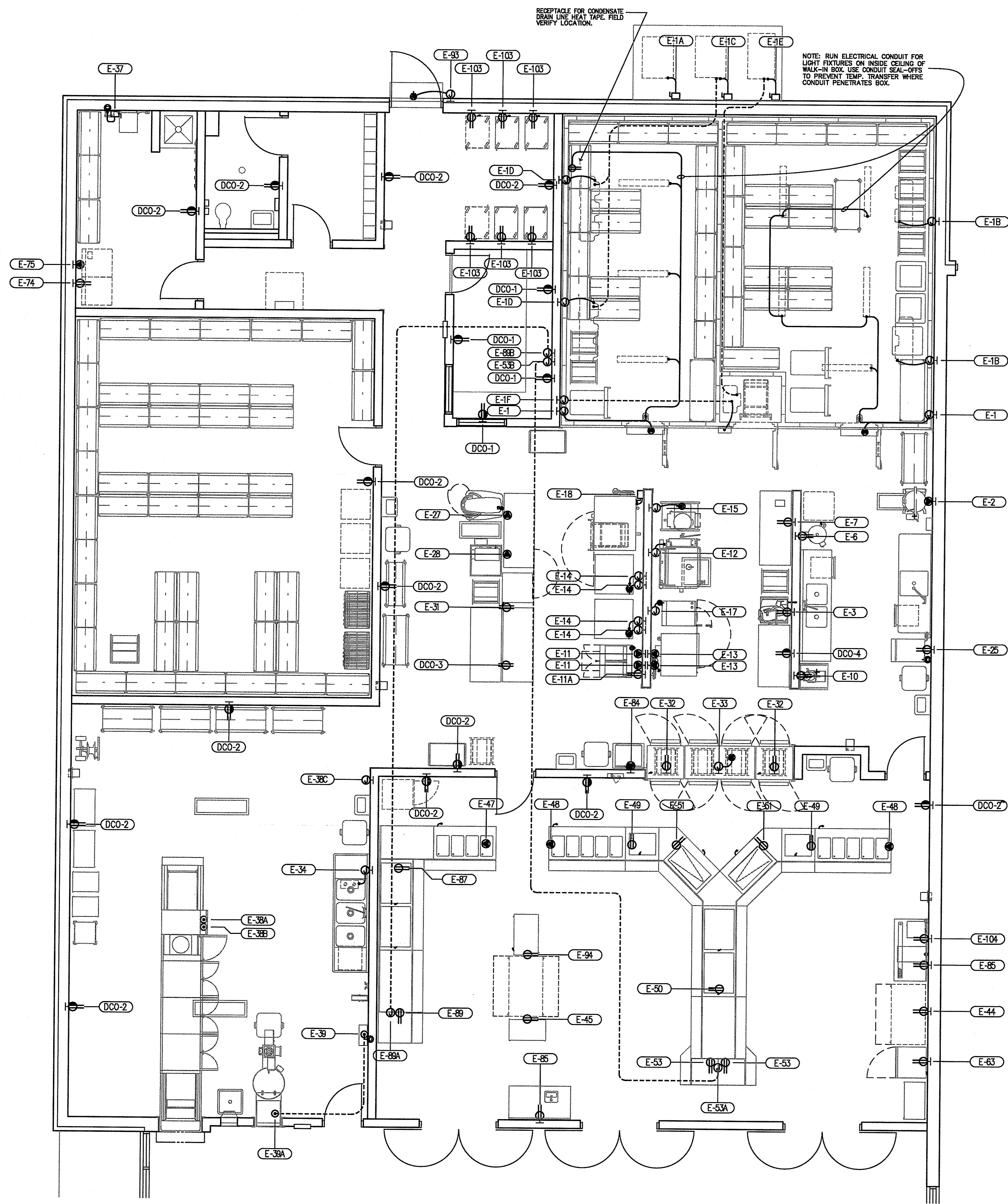
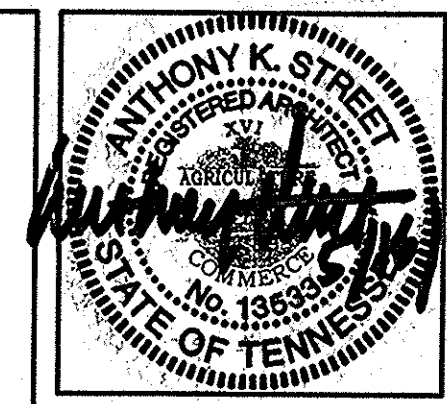
This drawing is the property of Beeson Lusk & Street, Architects, Inc., and the copying, use or reproduction of it, or any part of it, without the expressed consent of Beeson Lusk & Street, is prohibited.

Project No.:	4875
Drawn By:	AWD
Checked By:	AKS
Date:	APRIL 10, 2017
Project Coordinator:	TONY STREET

BEESON LUSK & STREET, INC.
ARCHITECTS
207 EAST MAIN STREET
PO BOX 100
JACKSONVILLE, TN 37602
PHONE 423-926-0700
FAX 423-926-7629

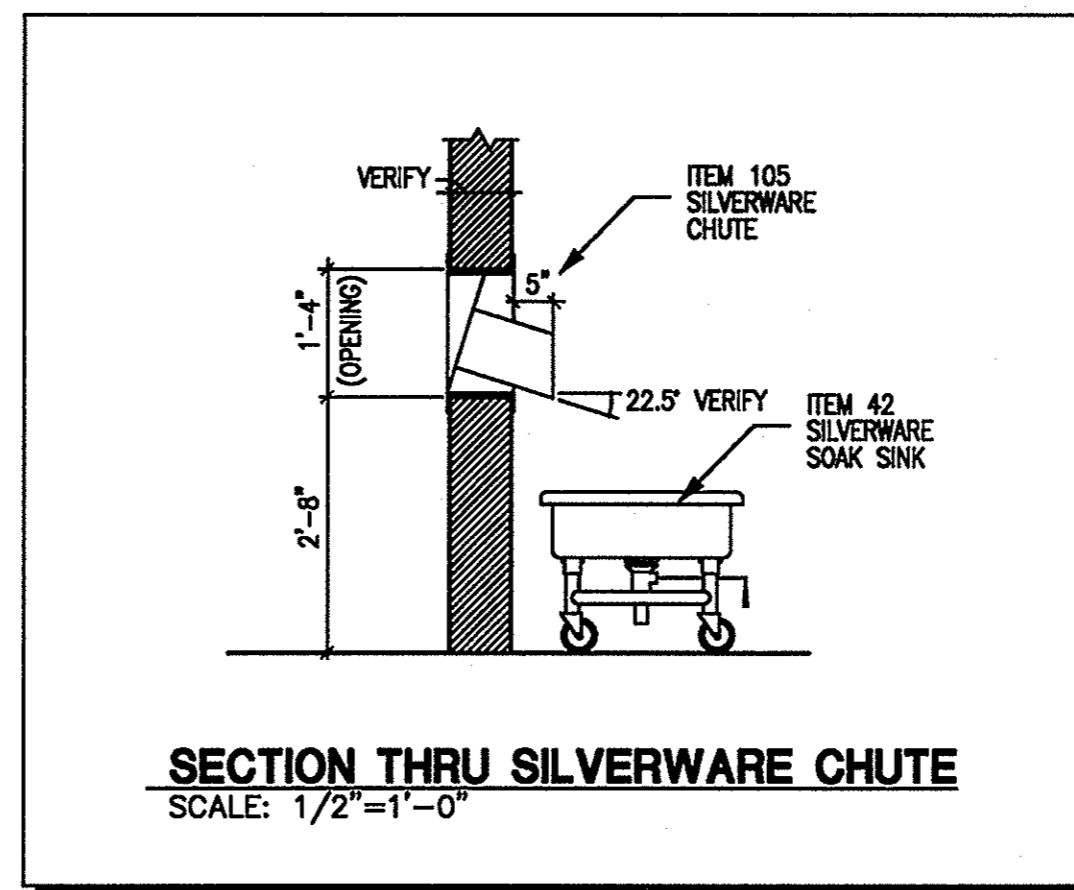
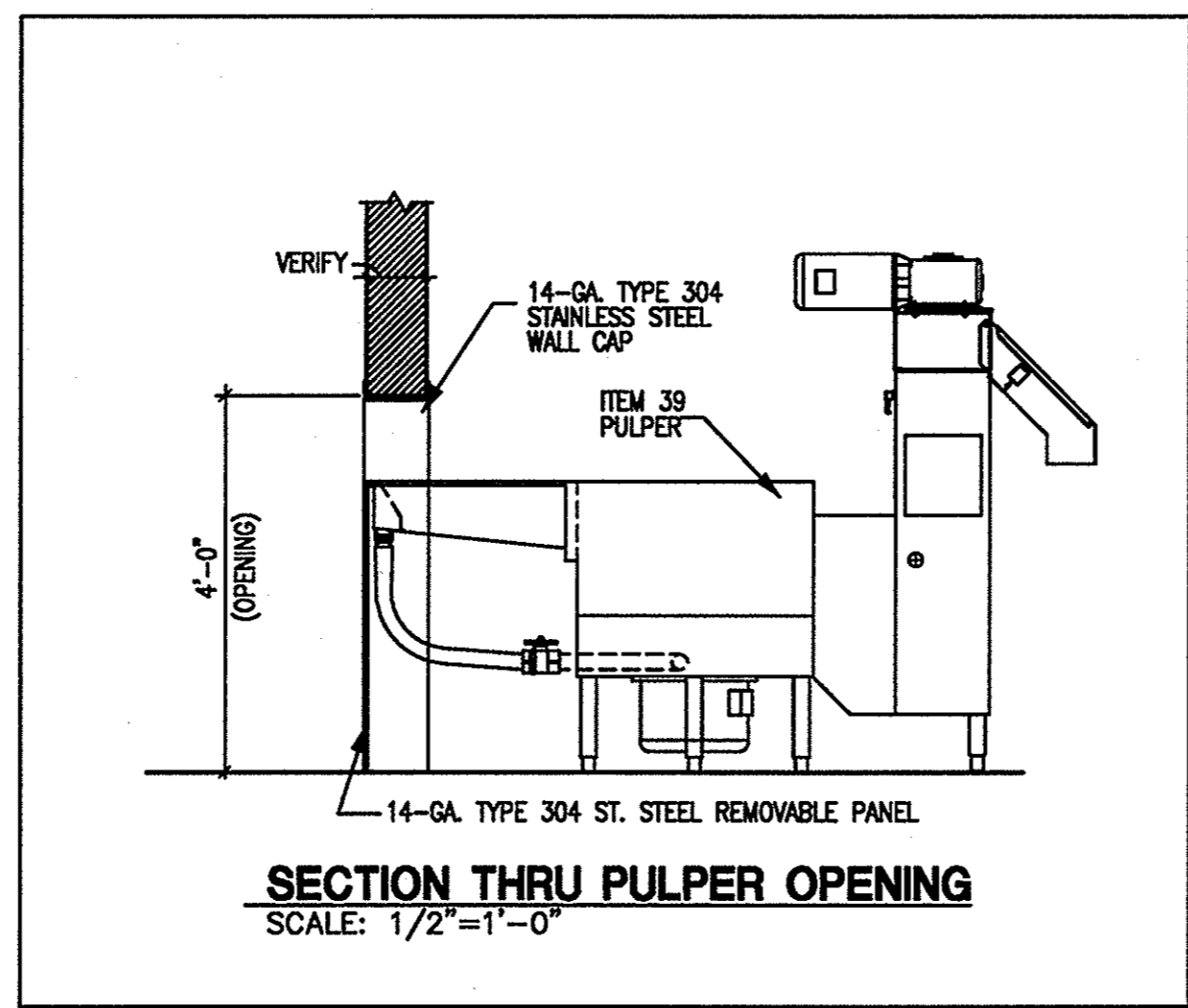
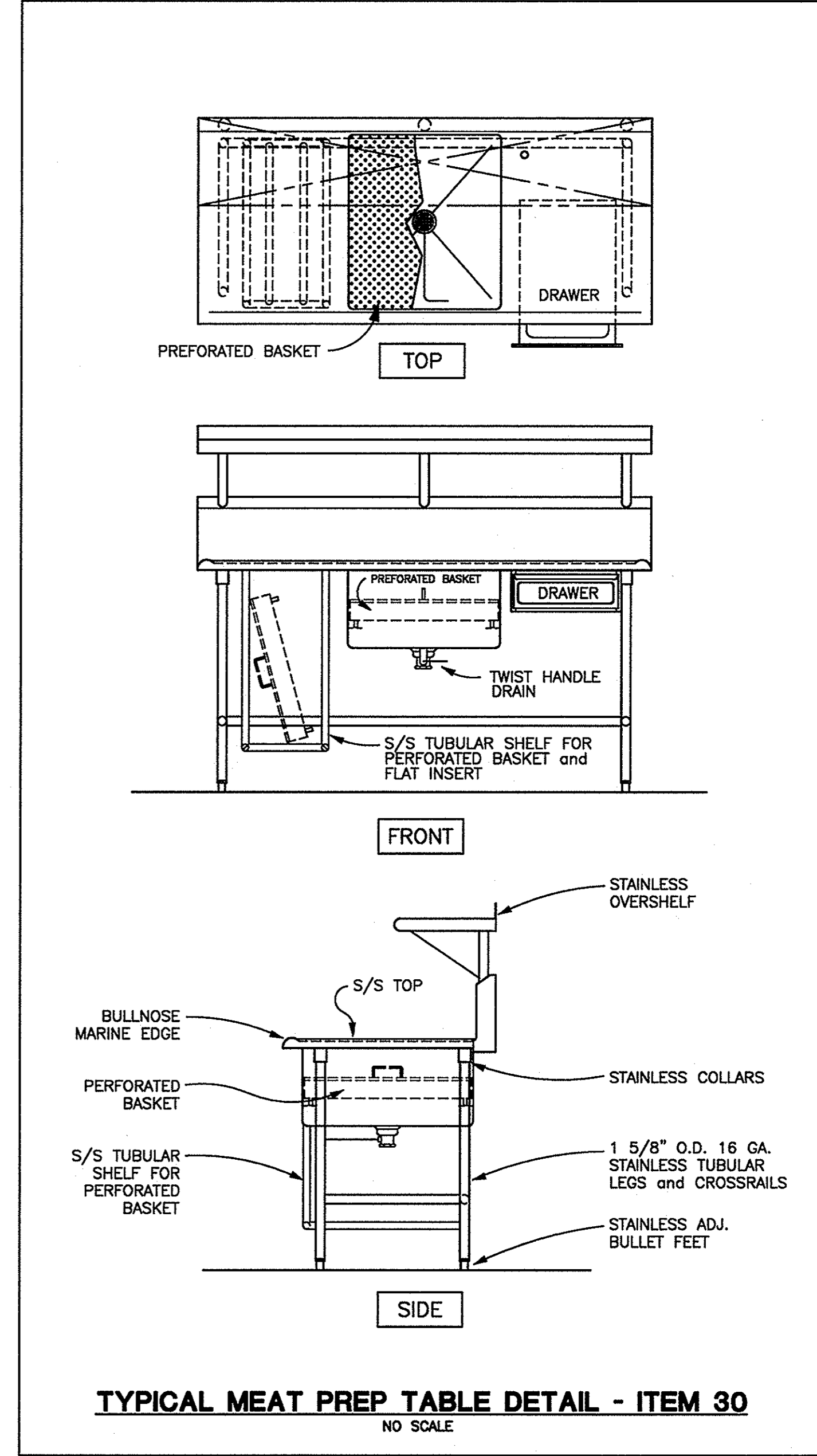
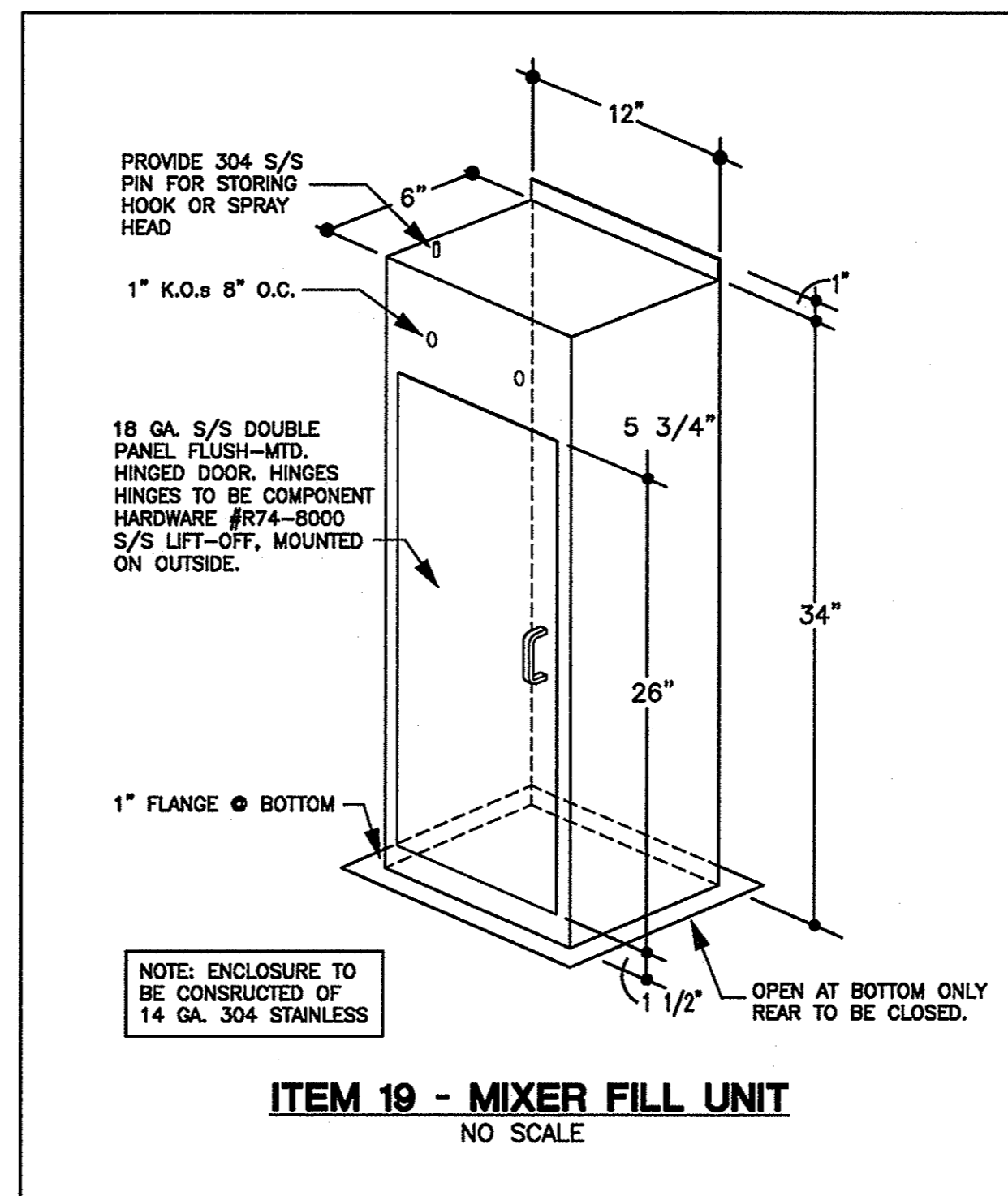
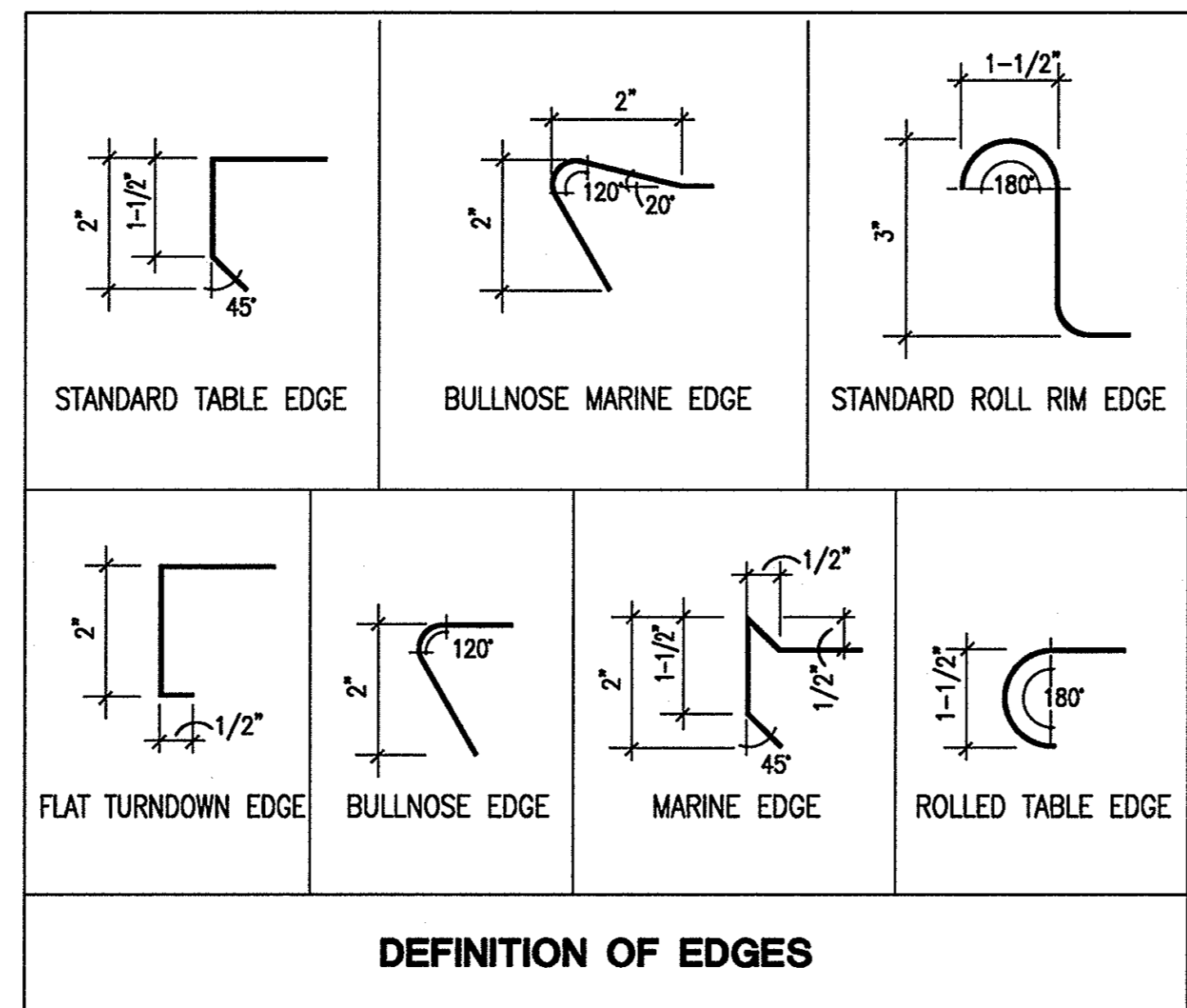
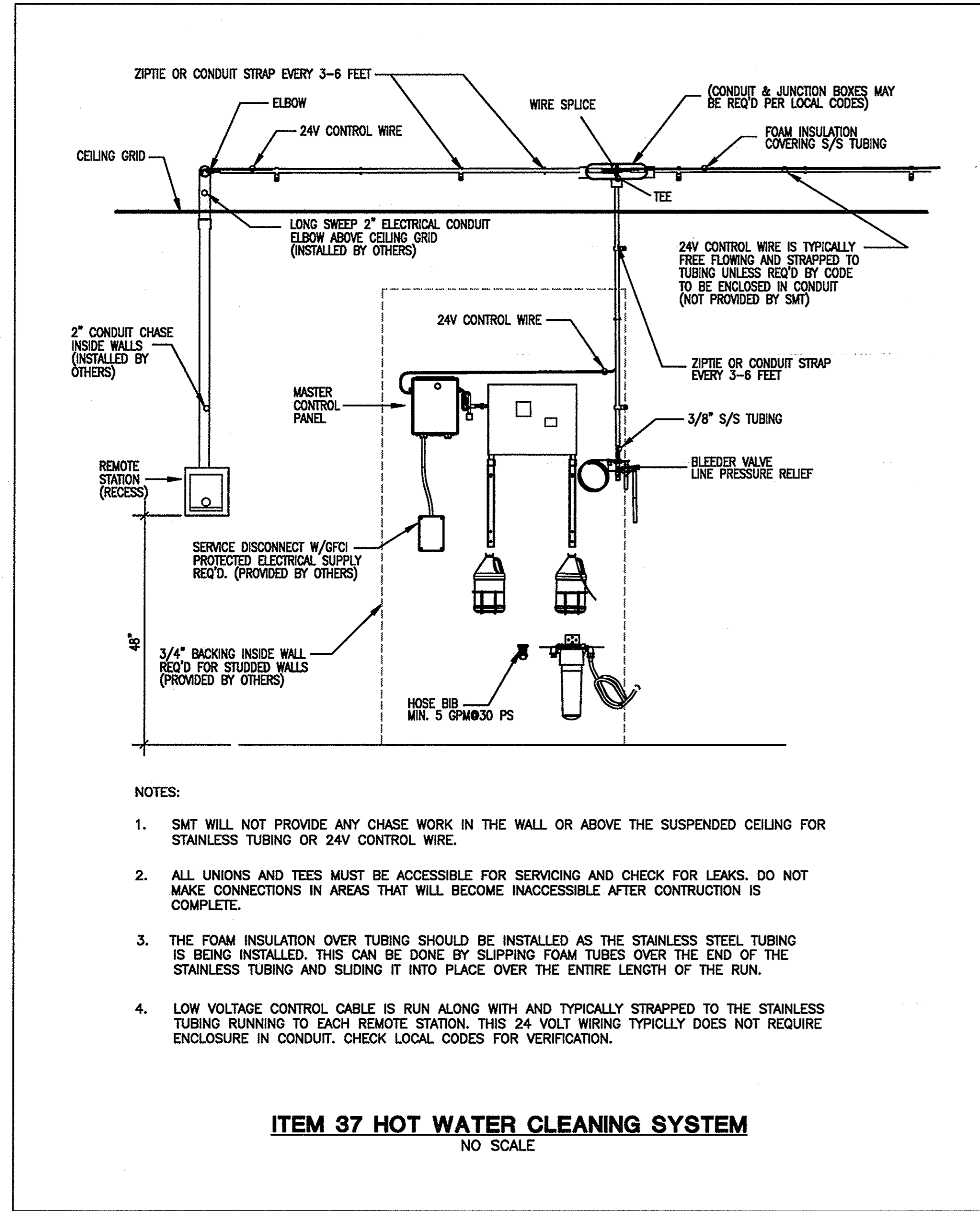
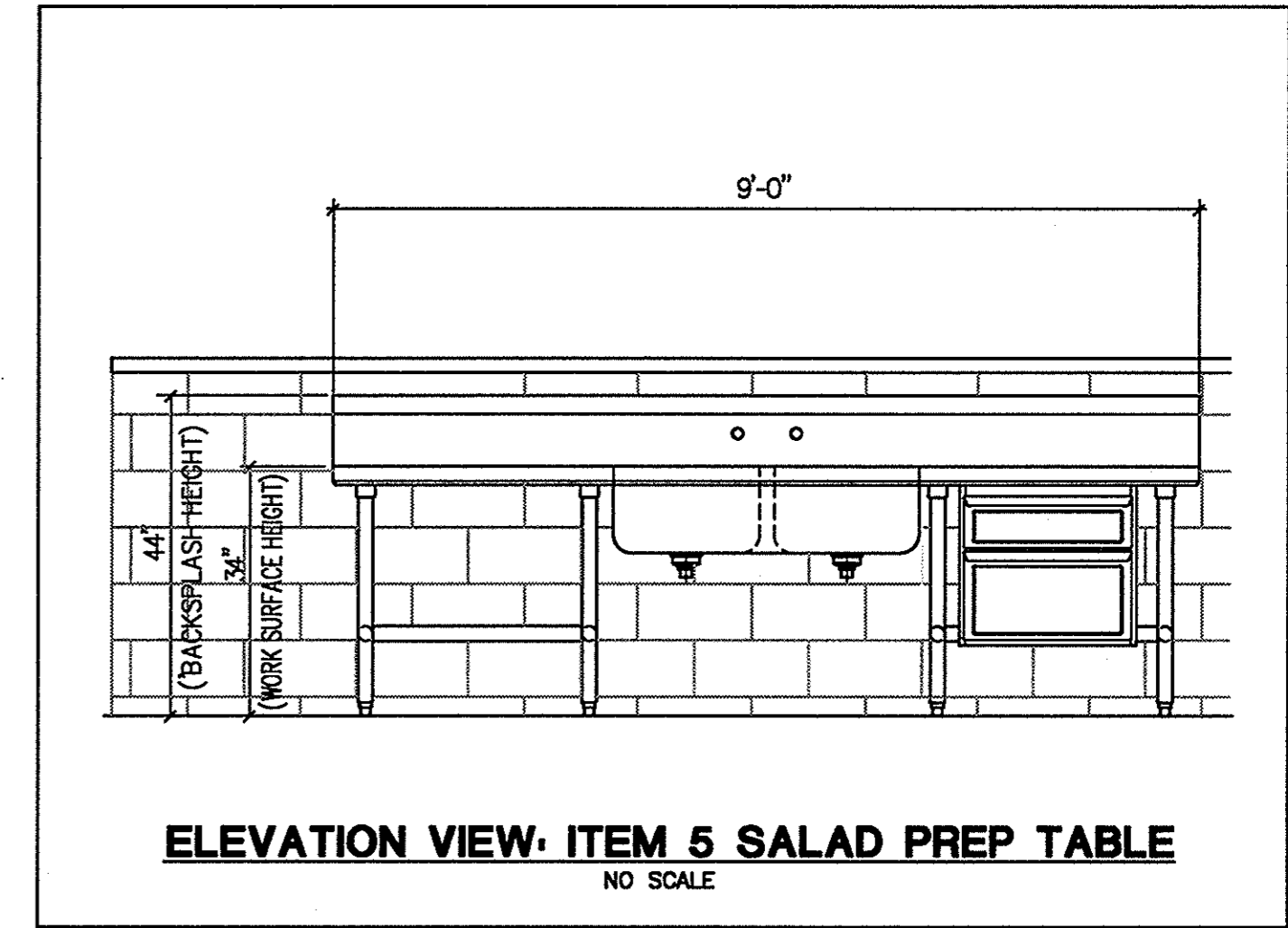
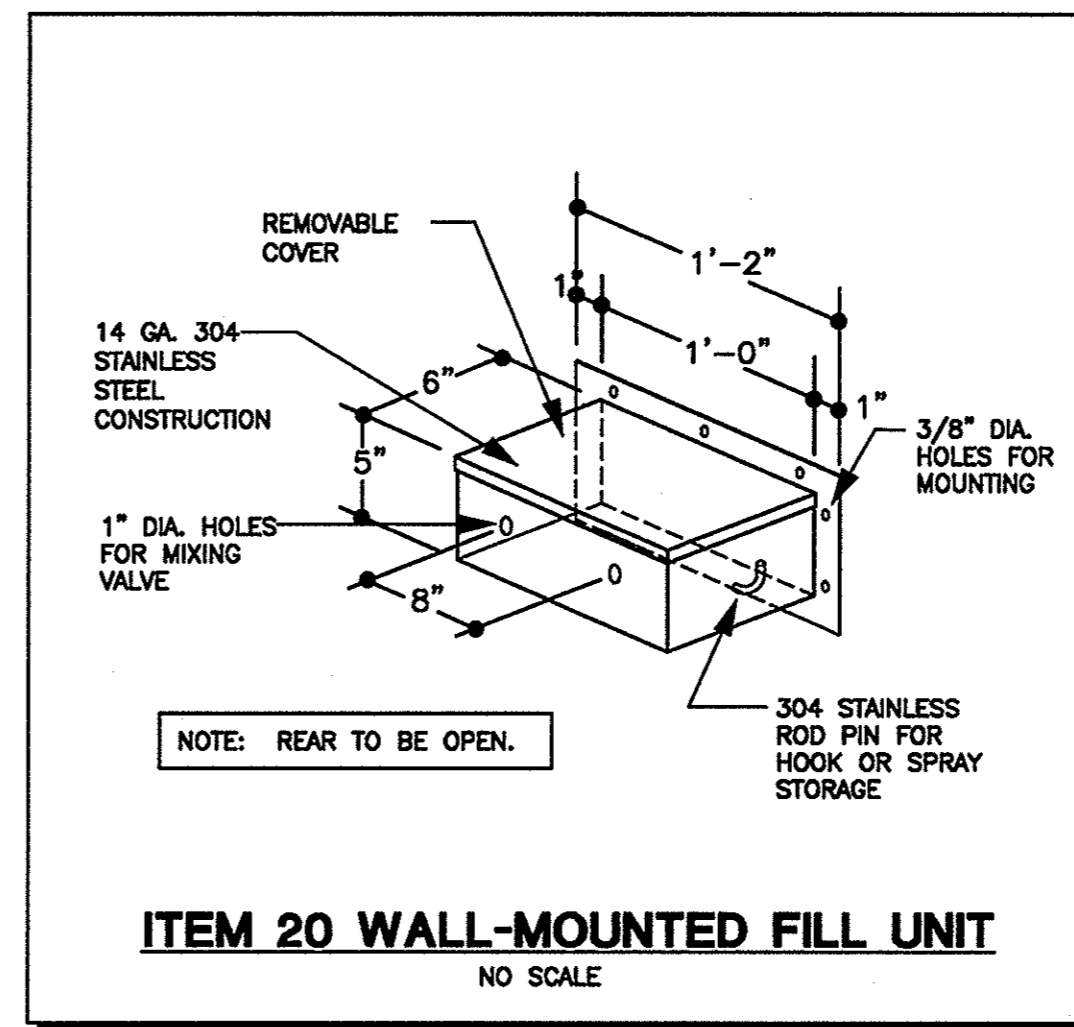
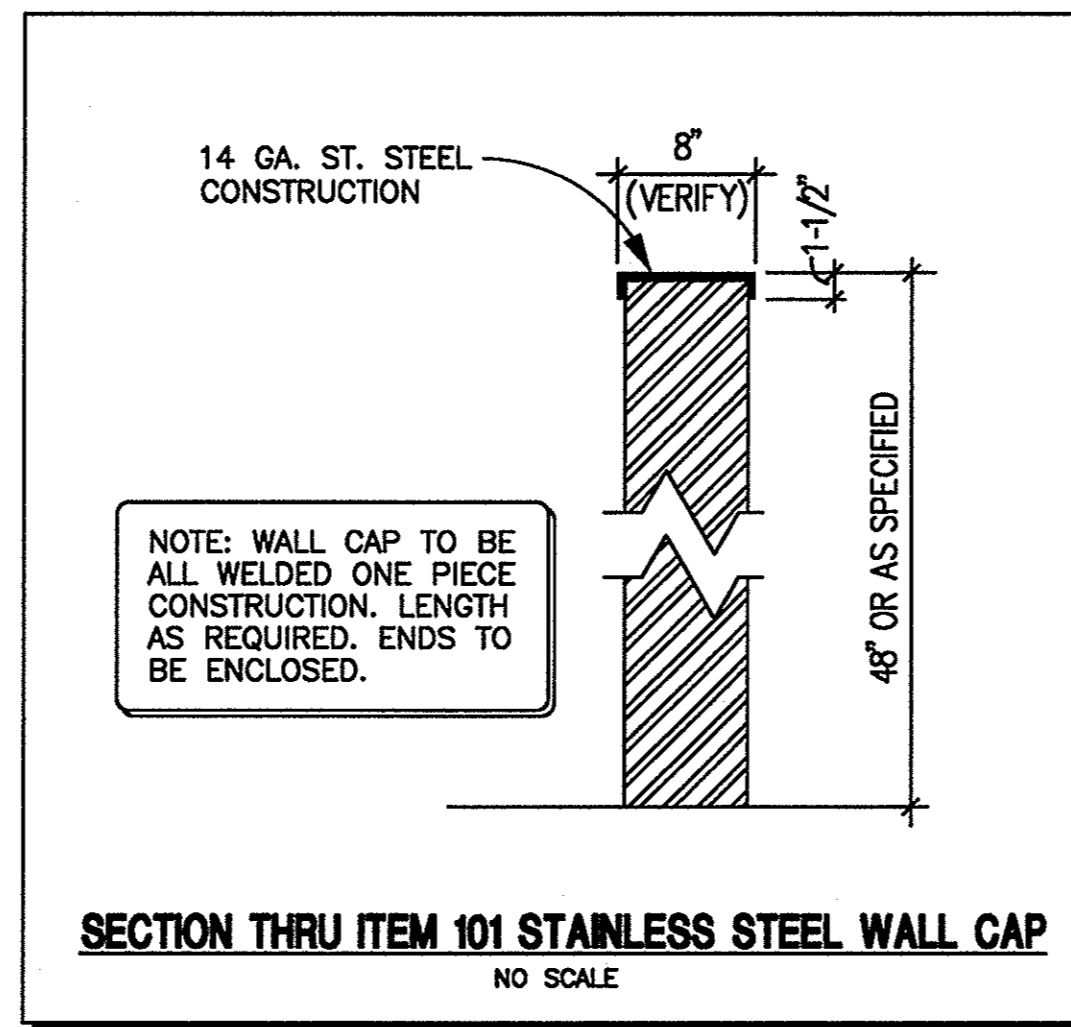
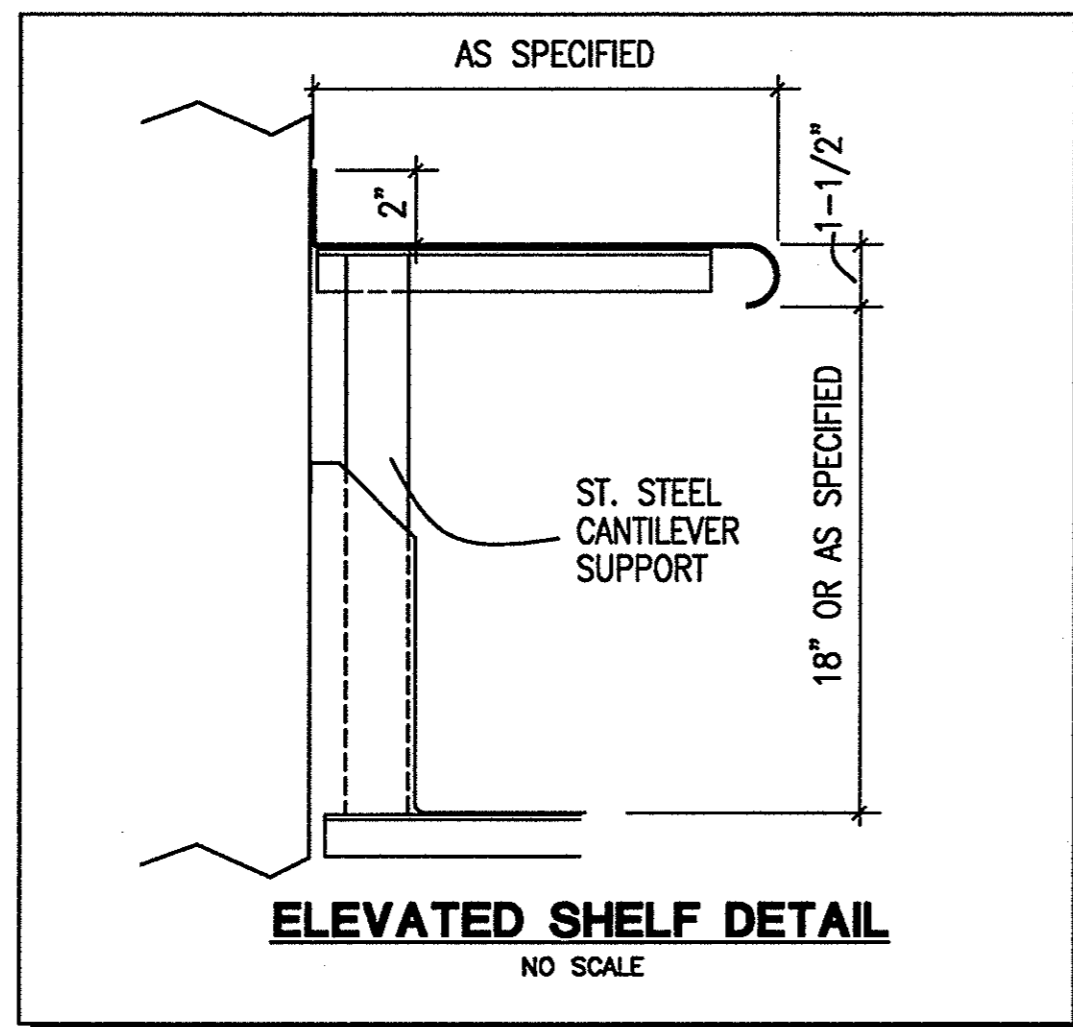
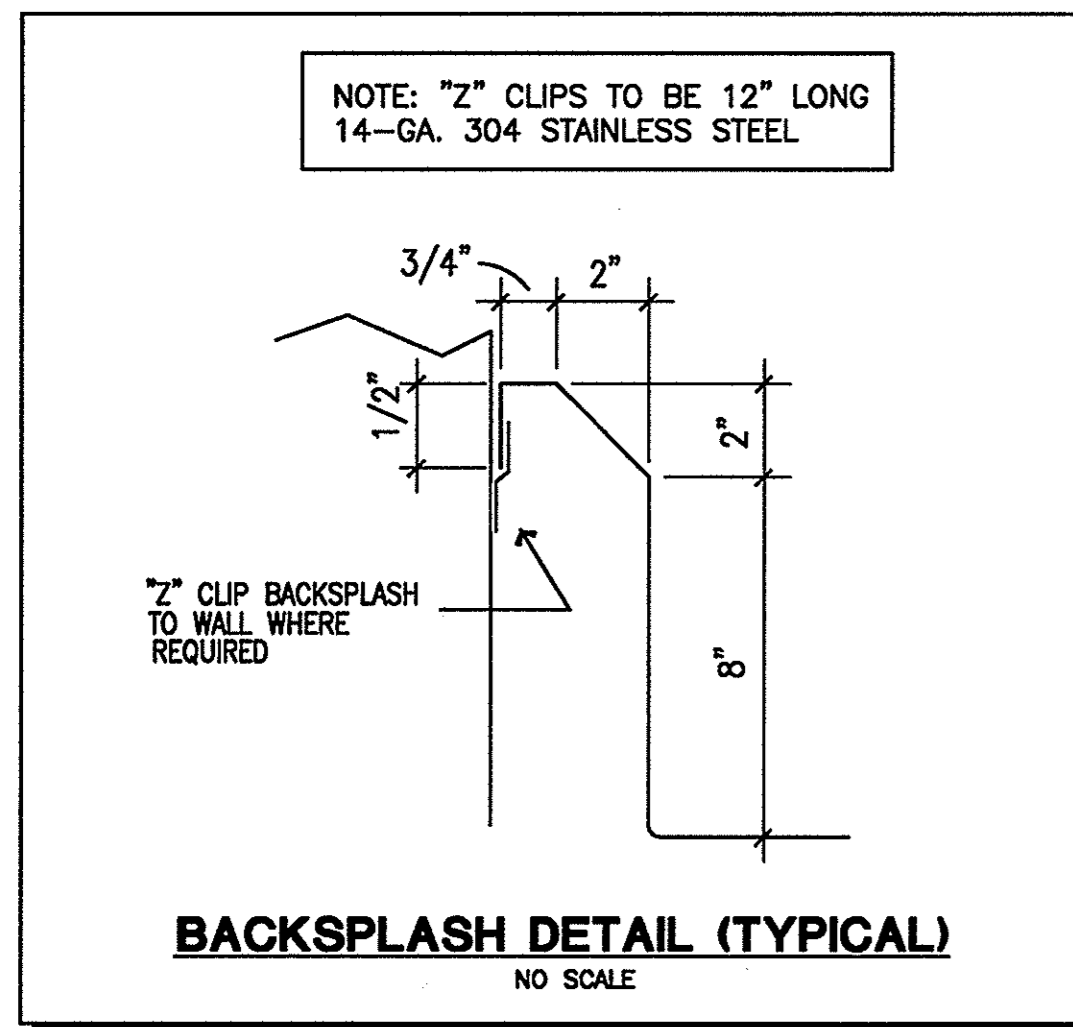
BLS ARCHITECTS
Beeson Lusk & Street, Inc.

Sheet Content: WASTE & SPECIAL CONDITIONS PLAN
NEW PEE K-9 SCHOOL FOR BOONES CREEK DISTRICT WASHINGTON COUNTY SCHOOLS WASHINGTON COUNTY, TENNESSEE

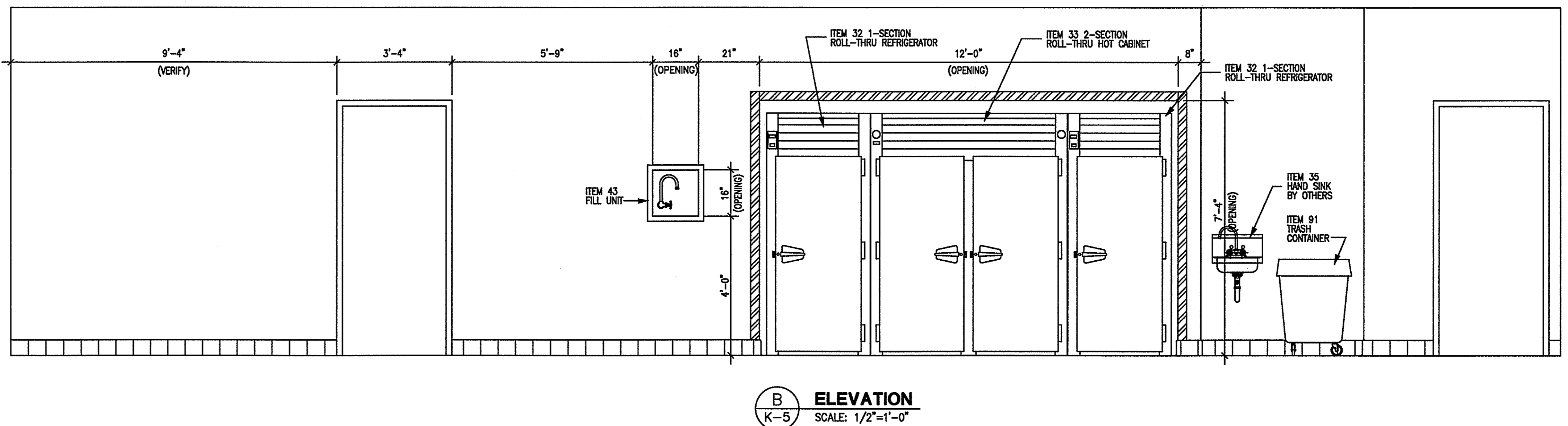
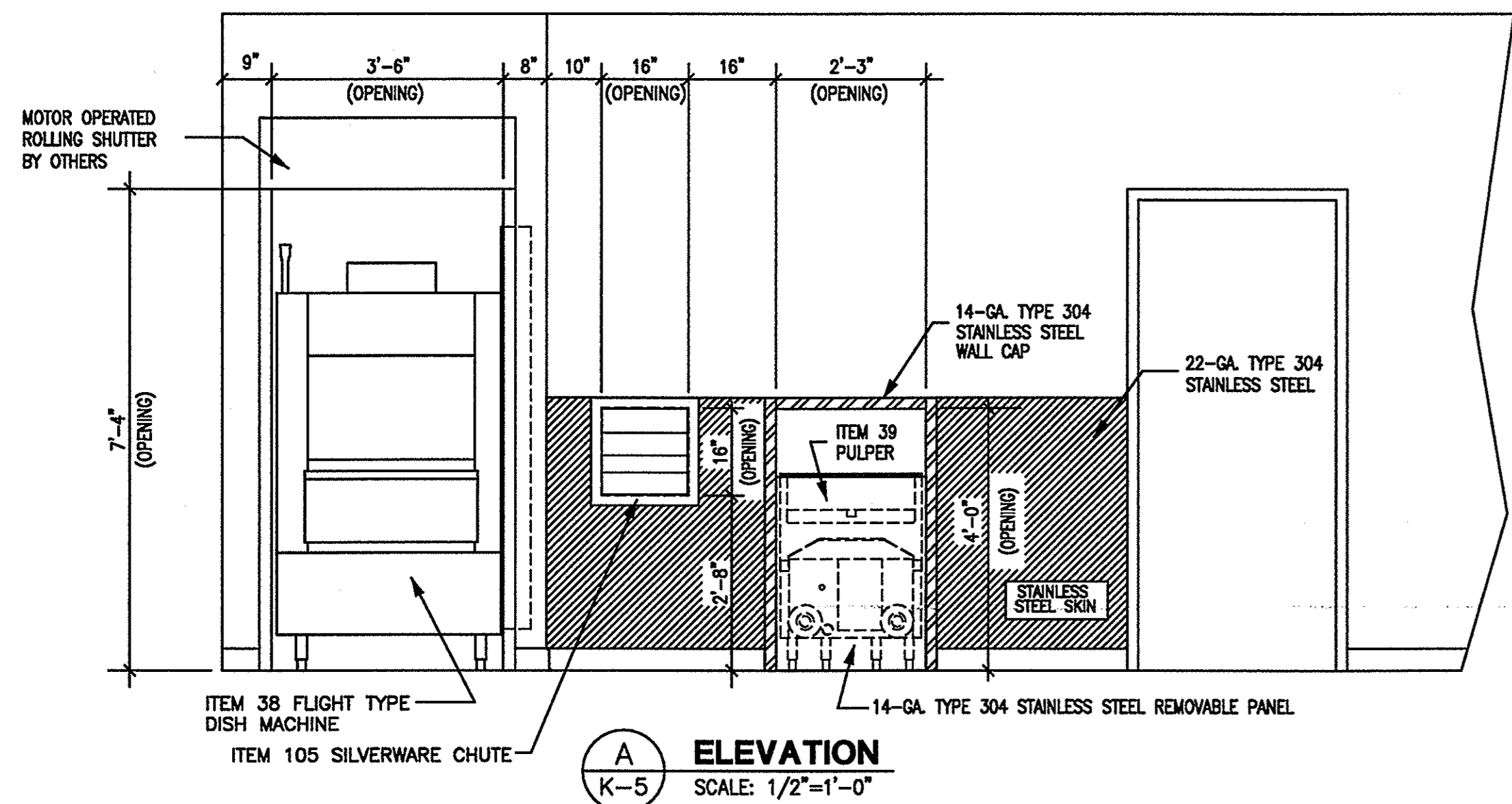


ELECTRICAL SCHEDULE

ITEM	QTY	DESCRIPTION	TAG NO.	VOLTS	PHASE	H.P.	K.W.	AMPS	CONNECTION TYPE	NOTES
1	1	WALK-IN COOLER/FREEZER	E-1	200	1			250	JUNCTION BOX	E.T.C. FOR COOLER/FREEZER ACCESSORIES-DOOR HEATING LIGHTS, ALARMS, AIR CURTAINS, HEATED P.A. VENT AND HEAT TAPE RECEPTACLE (FREEZER ONLY).
2	1	COOLER CONDENSING UNIT	E-1A	200	3			15.0	DISCONNECT BOX (NP)	E.T.C. ON WALK-IN COOLER CONDENSING UNIT.
3	1	COOLER EVAPORATOR COIL	E-1B	115	1			1.0	JUNCTION BOX	E.T.C. ON COOLER EVAPORATOR COIL.
4	1	FREEZER CONDENSING UNIT	E-1C	200	3	5 1/2		27.5	DISCONNECT BOX (NP)	E.T.C. ON WALK-IN FREEZER CONDENSING UNIT. PROVIDE CONTROL WIRING FROM DEPART. THE CLOCK TO FREEZER EVAPORATOR.
5	1	FREEZER EVAPORATOR COIL	E-1D	115	1			1.5	JUNCTION BOX	E.T.C. ON FREEZER EVAPORATOR COIL-1.5 AMPS FOR FANS & 11.7 AMPS FOR HEATER.
6	1	BLAST CHILLER CONDENSING UNIT	E-1E	200	3			28.0	DISCONNECT BOX (NP)	E.T.C. ON BLAST CHILLER CONDENSING UNIT. CONNECT 200V/PH. EVAPORATOR.
7	1	BLAST CHILLER UNIFORM EVAPORATOR/CONTROLS	E-1F	200	3			25.0	JUNCTION BOX	E.T.C. ON BLAST CHILLER UNIFORM EVAPORATOR/CONTROLS.
8	1	MERCURY OUTLET/ARMY	E-1G	200	3	1.0		23.5	MEWA 1-200	E.T.C. ON MERCURY OUTLET/ARMY.
9	1	SHRED	E-1H	115	1	1/4		2.5	MEWA 5-200	MOUNT RECEPTACLE HORIZONTALLY.
10	1	SHRED DRIVER	E-1I	115	1	1/4		2.5	MEWA 5-200	MOUNT RECEPTACLE HORIZONTALLY.
11	1	ELECTRIC OVEN DRIVER	E-1J	115	1	3/4		1.0	MEWA 5-200	MOUNT RECEPTACLE HORIZONTALLY.
12	1	FOOD PROCESSOR	E-1K	115	1			1.0	MEWA 5-200	MOUNT RECEPTACLE HORIZONTALLY.
13	1	FRYER BATTERY	E-1L	480	3			17.0	MEWA 115-300	E.T.C. ON BATTERY.
14	2	FRYER	E-1M	480	3			17.0	MEWA 115-300	E.T.C. ON BATTERY.
15	1	BUILT-IN FILTER/CONTROLS	E-1N	115	1			8.0/1.0	MEWA 5-200	E.T.C. ON BRASSING PAN.
16	1	TURNO BRASSING PAN 40-40	E-1O	115	1			16.3	MEWA 115-300	(2) RECEPTACLES REQUIRED.
17	1	COMB OVER-STEAMER (DOUBLE STACK)	E-1P	200	3			18.0	JUNCTION BOX	E.T.C. ON CONNECTION CHORDS (2 CONNECTIONS REQUIRED PER DOUBLE STACK).
18	2	CONNECTION OVEN (DOUBLE STACK)	E-1Q	200	3			22.0/22.0	JUNCTION BOX	E.T.C. ON CONNECTION CHORDS (2 CONNECTIONS REQUIRED PER DOUBLE STACK).
19	1	40-21 BOTTLE	E-1R	115	1			1.0	JUNCTION BOX	E.T.C. ON BOTTLE.
20	1	STEAMER	E-1S	115	1			20.0	JUNCTION BOX	E.T.C. ON STEAMER.
21	1	ROLL-IN COMB OVER-STEAMER	E-1T	115	1			81.0	DISCONNECT BOX (NP)	E.T.C. ON ROLL-IN COMB OVER-STEAMER.
22	1	ICE MACHINE	E-1U	115	1			11.7	MEWA 5-200	E.T.C. ON ROLL-IN COMB OVER-STEAMER.
23	1	ICE MACHINE	E-1V	115	1			11.7	MEWA 5-200	E.T.C. ON ROLL-IN COMB OVER-STEAMER.
24	1	HOT WATER DISPENSER	E-1W	115	1			5.0	MEWA 5-200	ROFT. MOUNTED ON DROP CORD FROM CEILING.
25	1	HOT WATER DISPENSER	E-1X	115	1			5.0	MEWA 5-200	ROFT. MOUNTED ON DROP CORD FROM CEILING.
26	1	HOT WATER DISPENSER	E-1Y	115	1			5.0	MEWA 5-200	ROFT. MOUNTED ON DROP CORD FROM CEILING.
27	1	1-SECTION ROLL-THRU REFRIGERATOR	E-1Z	115	1			1.0	JUNCTION BOX	E.T.C. ON ROLL-THRU REFRIGERATOR.
28	1	2-SECTION ROLL-THRU REFRIGERATOR	E-1AA	115	1			1.0	JUNCTION BOX	E.T.C. ON ROLL-THRU REFRIGERATOR.
29	1	2-SECTION ROLL-THRU HEATED CABINET	E-1AB	115	1			1.0	JUNCTION BOX	E.T.C. ON ROLL-THRU HEATED CABINET.
30	1	2-SECTION ROLL-THRU HEATED CABINET	E-1AC	115	1			1.0	JUNCTION BOX	E.T.C. ON ROLL-THRU HEATED CABINET.
31	1	2-SECTION ROLL-THRU HEATED CABINET	E-1AD	115	1			1.0	JUNCTION BOX	E.T.C. ON ROLL-THRU HEATED CABINET.
32	1	2-SECTION ROLL-THRU HEATED CABINET	E-1AE	115	1			1.0	JUNCTION BOX	E.T.C. ON ROLL-THRU HEATED CABINET.
33	1	2-SECTION ROLL-THRU HEATED CABINET	E-1AF	115	1			1.0	JUNCTION BOX	E.T.C. ON ROLL-THRU HEATED CABINET.
34	1	2-SECTION ROLL-THRU HEATED CABINET	E-1AG	115	1			1.0	JUNCTION BOX	E.T.C. ON ROLL-THRU HEATED CABINET.
35	1	2-SECTION ROLL-THRU HEATED CABINET	E-1AH	115	1			1.0	JUNCTION BOX	E.T.C. ON ROLL-THRU HEATED CABINET.
36	1	2-SECTION ROLL-THRU HEATED CABINET	E-1AI	115	1			1.0	JUNCTION BOX	E.T.C. ON ROLL-THRU HEATED CABINET.
37	1	2-SECTION ROLL-THRU HEATED CABINET	E-1AJ	115	1			1.0	JUNCTION BOX	E.T.C. ON ROLL-THRU HEATED CABINET.
38	1	2-SECTION ROLL-THRU HEATED CABINET	E-1AK	115	1			1.0	JUNCTION BOX	E.T.C. ON ROLL-THRU HEATED CABINET.
39	1	2-SECTION ROLL-THRU HEATED CABINET	E-1AL	115	1			1.0	JUNCTION BOX	E.T.C. ON ROLL-THRU HEATED CABINET.
40	1	2-SECTION ROLL-THRU HEATED CABINET	E-1AM	115	1			1.0	JUNCTION BOX	E.T.C. ON ROLL-THRU HEATED CABINET.
41	1	2-SECTION ROLL-THRU HEATED CABINET	E-1AN	115	1			1.0	JUNCTION BOX	E.T.C. ON ROLL-THRU HEATED CABINET.
42	1	2-SECTION ROLL-THRU HEATED CABINET	E-1AO	115	1			1.0	JUNCTION BOX	E.T.C. ON ROLL-THRU HEATED CABINET.
43	1	2-SECTION ROLL-THRU HEATED CABINET	E-1AP	115	1			1.0	JUNCTION BOX	E.T.C. ON ROLL-THRU HEATED CABINET.
44	1	2-SECTION ROLL-THRU HEATED CABINET	E-1AQ	115	1			1.0	JUNCTION BOX	E.T.C. ON ROLL-THRU HEATED CABINET.
45	1	2-SECTION ROLL-THRU HEATED CABINET	E-1AR	115	1			1.0	JUNCTION BOX	E.T.C. ON ROLL-THRU HEATED CABINET.
46	1	2-SECTION ROLL-THRU HEATED CABINET	E-1AS	115	1			1.0	JUNCTION BOX	E.T.C. ON ROLL-THRU HEATED CABINET.
47	1	2-SECTION ROLL-THRU HEATED CABINET	E-1AT	115	1			1.0	JUNCTION BOX	E.T.C. ON ROLL-THRU HEATED CABINET.
48	1	2-SECTION ROLL-THRU HEATED CABINET	E-1AU	115	1			1.0	JUNCTION BOX	E.T.C. ON ROLL-THRU HEATED CABINET.
49	1	2-SECTION ROLL-THRU HEATED CABINET	E-1AV	115	1			1.0	JUNCTION BOX	E.T.C. ON ROLL-THRU HEATED CABINET.
50	1	2-SECTION ROLL-THRU HEATED CABINET	E-1AW	115	1			1.0	JUNCTION BOX	E.T.C. ON ROLL-THRU HEATED CABINET.
51	1	2-SECTION ROLL-THRU HEATED CABINET	E-1AX	115	1			1.0	JUNCTION BOX	E.T.C. ON ROLL-THRU HEATED CABINET.
52	1	2-SECTION ROLL-THRU HEATED CABINET	E-1AY	115	1			1.0	JUNCTION BOX	E.T.C. ON ROLL-THRU HEATED CABINET.
53	1	2-SECTION ROLL-THRU HEATED CABINET	E-1AZ	115	1			1.0	JUNCTION BOX	E.T.C. ON ROLL-THRU HEATED CABINET.
54	1	2-SECTION ROLL-THRU HEATED CABINET	E-1BA	115	1			1.0	JUNCTION BOX	E.T.C. ON ROLL-THRU HEATED CABINET.
55	1	2-SECTION ROLL-THRU HEATED CABINET	E-1BB	115	1			1.0	JUNCTION BOX	E.T.C. ON ROLL-THRU HEATED CABINET.
56	1	2-SECTION ROLL-THRU HEATED CABINET	E-1BC	115	1			1.0	JUNCTION BOX	E.T.C. ON ROLL-THRU HEATED CABINET.
57	1	2-SECTION ROLL-THRU HEATED CABINET	E-1BD	115	1			1.0	JUNCTION BOX	E.T.C. ON ROLL-THRU HEATED CABINET.
58	1	2-SECTION ROLL-THRU HEATED CABINET	E-1BE	115	1			1.0	JUNCTION BOX	E.T.C. ON ROLL-THRU HEATED CABINET.
59	1	2-SECTION ROLL-THRU HEATED CABINET	E-1BF	115	1			1.0	JUNCTION BOX	E.T.C. ON ROLL-THRU HEATED CABINET.
60	1	2-SECTION ROLL-THRU HEATED CABINET	E-1BG	115	1			1.0	JUNCTION BOX	E.T.C. ON ROLL-THRU HEATED CABINET.
61	1	2-SECTION ROLL-THRU HEATED CABINET	E-1BH	115	1			1.0	JUNCTION BOX	E.T.C. ON ROLL-THRU HEATED CABINET.
62	1	2-SECTION ROLL-THRU HEATED CABINET	E-1BI	115	1			1.0	JUNCTION BOX	E.T.C. ON ROLL-THRU HEATED CABINET.
63	1	2-SECTION ROLL-THRU HEATED CABINET	E-1BJ	115	1			1.0	JUNCTION BOX	E.T.C. ON ROLL-THRU HEATED CABINET.
64	1	2-SECTION ROLL-THRU HEATED CABINET	E-1BK	115	1			1.0	JUNCTION BOX	E.T.C. ON ROLL-THRU HEATED CABINET.
65	1	2-SECTION ROLL-THRU HEATED CABINET	E-1BL	115	1			1.0	JUNCTION BOX	E.T.C. ON ROLL-THRU HEATED CABINET.
66	1	2-SECTION ROLL-THRU HEATED CABINET	E-1BM	115	1			1.0	JUNCTION BOX	E.T.C. ON ROLL-THRU HEATED CABINET.
67	1	2-SECTION ROLL-THRU HEATED CABINET	E-1BN	115	1			1.0	JUNCTION BOX	E.T.C. ON ROLL-THRU HEATED CABINET.
68	1	2-SECTION ROLL-THRU HEATED CABINET	E-1BO	115	1			1.0	JUNCTION BOX	E.T.C. ON ROLL-THRU HEATED CABINET.
69	1	2-SECTION ROLL-THRU HEATED CABINET	E-1BP	115	1			1.0	JUNCTION BOX	E.T.C. ON ROLL-THRU HEATED CABINET.
70	1	2-SECTION ROLL-THRU HEATED CABINET	E-1BQ	115	1			1.0	JUNCTION BOX	E.T.C. ON ROLL-THRU HEATED CABINET.
71	1	2-SECTION ROLL-THRU HEATED CABINET	E-1BR	115	1			1.0	JUNCTION BOX	E.T.C. ON ROLL-THRU HEATED CABINET.
72	1	2-SECTION ROLL-THRU HEATED CABINET	E-1BS	115	1			1.0	JUNCTION BOX	E.T.C. ON ROLL-THRU HEATED CABINET.
73	1	2-SECTION ROLL-THRU HEATED CABINET	E-1BT	115	1			1.0	JUNCTION BOX	E.T.C. ON ROLL-THRU HEATED CABINET.
74	1	2-SECTION ROLL-THRU HEATED CABINET	E-1BU	115	1			1.0	JUNCTION BOX	E.T.C. ON ROLL-THRU HEATED CABINET.
75	1	2-SECTION ROLL-THRU HEATED CABINET	E-1BV	115	1			1.0	JUNCTION BOX	E.T.C. ON ROLL-THRU HEATED CABINET.
76	1	2-SECTION ROLL-THRU HEATED CABINET	E-1BW	115	1			1.0	JUNCTION BOX	E.T.C. ON ROLL-THRU HEATED CABINET.
77	1	2-SECTION ROLL-THRU HEATED CABINET	E-1BX	115	1			1.0	JUNCTION BOX	E.T.C. ON ROLL-THRU HEATED CABINET.
78	1	2-SECTION ROLL-THRU HEATED CABINET	E-1BY	115	1			1.0	JUNCTION BOX	E.T.C. ON ROLL-THRU HEATED CABINET.
79	1	2-SECTION ROLL-THRU HEATED CABINET	E-1BZ	115	1			1.0	JUNCTION BOX	E.T.C. ON ROLL-THRU HEATED CABINET.
80	1	2-SECTION ROLL-THRU HEATED CABINET	E-1CA	115	1			1.0	JUNCTION BOX	E.T.C. ON ROLL-THRU HEATED CABINET.
81	1	2-SECTION ROLL-THRU HEATED CABINET	E-1CB	115	1			1.0	JUNCTION BOX	E.T.C. ON ROLL-THRU HEATED CABINET.
82	1	2-SECTION ROLL-THRU HEATED CABINET	E-1CC	115	1			1.0	JUNCTION BOX	E.T.C. ON ROLL-THRU HEATED CABINET.
83	1	2-SECTION ROLL-THRU HEATED CABINET	E-1CD	115	1			1.0	JUNCTION BOX	E.T.C. ON ROLL-THRU HEATED CABINET.
84	1	2-SECTION ROLL-THRU HEATED CABINET	E-1CE	115	1			1.0	JUNCTION BOX	E.T.C. ON ROLL-THRU HEATED CABINET.
85	1	2-SECTION ROLL-THRU HEATED CABINET	E-1CF	115	1			1.0	JUNCTION BOX	E.T.C. ON ROLL-THRU HEATED CABINET.
86	1	2-SECTION ROLL-THRU HEATED CABINET	E-1CG	115	1			1.0	JUNCTION BOX	E.T.C. ON ROLL-THRU HEATED CABINET.
87	1	2-SECTION ROLL-THRU HEATED CABINET	E-1CH	115	1			1.0	JUNCTION BOX	E.T.C. ON ROLL-THRU HEATED CABINET.
88	1	2-SECTION ROLL-THRU HEATED CABINET	E-1CI	115	1			1.0	JUNCTION BOX	E.T.C. ON ROLL-THRU HEATED CABINET.
89	1	2-SECTION ROLL-THRU HEATED CABINET	E-1CJ	115	1			1.0	JUNCTION BOX	E.T.C. ON ROLL-THRU HEATED CABINET.
90	1	2-SECTION ROLL-THRU HEATED CABINET	E-1CK	115	1			1.0	JUNCTION BOX	E.T.C. ON ROLL-THRU HEATED CABINET.
91	1	2-SECTION ROLL-THRU HEATED CABINET	E-1CL	115	1			1.0	JUNCTION BOX	E.T.C. ON ROLL-THRU HEATED CABINET.
92	1	2-SECTION ROLL-THRU HEATED CABINET	E-1CM	115	1			1.0	JUNCTION BOX	E.T.C. ON ROLL-THRU HEATED CABINET.
93	1	2-SECTION ROLL-THRU HEATED CABINET	E-1CN	115	1			1.0	JUNCTION BOX	E.T.C. ON ROLL-THRU HEATED CABINET.
94	1	2-SECTION ROLL-THRU HEATED CABINET	E-1CO	115	1			1.0	JUNCTION BOX	E.T.C. ON ROLL-THRU HEATED CABINET.
95	1	2-SECTION ROLL-THRU HEATED CABINET	E-1CP	115	1			1.0	JUNCTION BOX	E.T.C. ON ROLL-THRU HEATED CABINET.
96	1	2-SECTION ROLL-THRU HEATED CABINET	E-1CQ	115	1			1.0	JUNCTION BOX	E.T.C. ON ROLL-THRU HEATED CABINET.
97	1	2-SECTION ROLL-THRU HEATED CABINET	E-1CR	115	1			1.0	JUNCTION BOX	E.T.C. ON ROLL-THRU HEATED CABINET.
98	1	2-SECTION ROLL-THRU HEATED CABINET	E-1CS	115	1			1.0	JUNCTION BOX	E.T.C. ON ROLL-THRU HEATED CABINET.
99	1	2-SECTION ROLL-THRU HEATED CABINET	E-1CT	115	1			1.0	JUNCTION BOX	E.T.C. ON ROLL-THRU HEATED CABINET.
100	1	2-SECTION ROLL-THRU HEATED CABINET	E-1CU	115	1			1.0	JUNCTION BOX	E.T.C. ON ROLL-THRU HEATED CABINET.
101	1	2-SECTION ROLL-THRU HEATED CABINET	E-1CV	115	1			1.0	JUNCTION BOX	E.T.C. ON ROLL-THRU HEATED CABINET.
102	1	2-SECTION ROLL-THRU HEATED CABINET	E-1CW	115	1			1.0	JUNCTION BOX	E.T.C. ON ROLL-THRU HEATED CABINET.
103	1	2-SECTION ROLL-THRU HEATED CABINET	E-1CX	115	1			1.0	JUNCTION BOX	E.T.C. ON ROLL-THRU HEATED CABINET.
104	1	2-SECTION ROLL-THRU HEATED CABINET	E-1CY	115	1			1.0	JUNCTION BOX	E.T.C. ON ROLL-THRU HEATED CABINET.
105	1	2-SECTION ROLL-THRU HEATED CABINET	E-1CZ	115	1			1.0	JUNCTION BOX	E.T.C. ON ROLL-THRU HEATED CABINET.
106	1	2-SECTION ROLL-THRU HEATED CABINET	E-1DA	115	1			1.0	JUNCTION BOX	E.T.C. ON ROLL-THRU HEATED CABINET.
107	1	2-SECTION ROLL-THRU HEATED CABINET	E-1DB	115	1			1.0	JUNCTION BOX	E.T.C. ON ROLL-THRU HEATED CABINET.
108	1	2-SECTION ROLL-THRU HEATED CABINET	E-1DC	115	1			1.0	JUNCTION BOX	E.T.C. ON ROLL-



PROVIDE AND INSTALL 14 GA. TYPE 304, 18-8 STAINLESS STEEL WALL CAP FOR TOP AND SIDES OF WALL OPENING. ATTACH TO WALL WITH S/S FASTENERS. SEAL TO WALL WITH CLEAR SILICON CAULKING.



This drawing is the property of Beson Lusk + Street, Architects, Inc. and the copying, use or reproduction of it or any part of it without the expressed consent of Beson Lusk + Street, is prohibited.

Revisions	Date

Project No.: 4375
Drawn By: AND
Checked By: AKS
Date: April 10, 2017
Project Coordinator: TONY STREET

BESON LUSK + STREET, INC.
207 EAST MAIN STREET
JOHNSON CITY, TN
37605-8009
PHONE: 423-728-2255
FAX: 423-728-2255

BLS
ARCHITECTS
Beson Lusk + Street, Inc.

Sheet Content: KITCHEN ELEVATIONS & DETAILS
NEW PRE K-5 SCHOOL FOR BOONES CREEK DISTRICT WASHINGTON COUNTY SCHOOLS WASHINGTON COUNTY, TENNESSEE

Date: MAY 16, 2017

Sheet No.: **K-5**